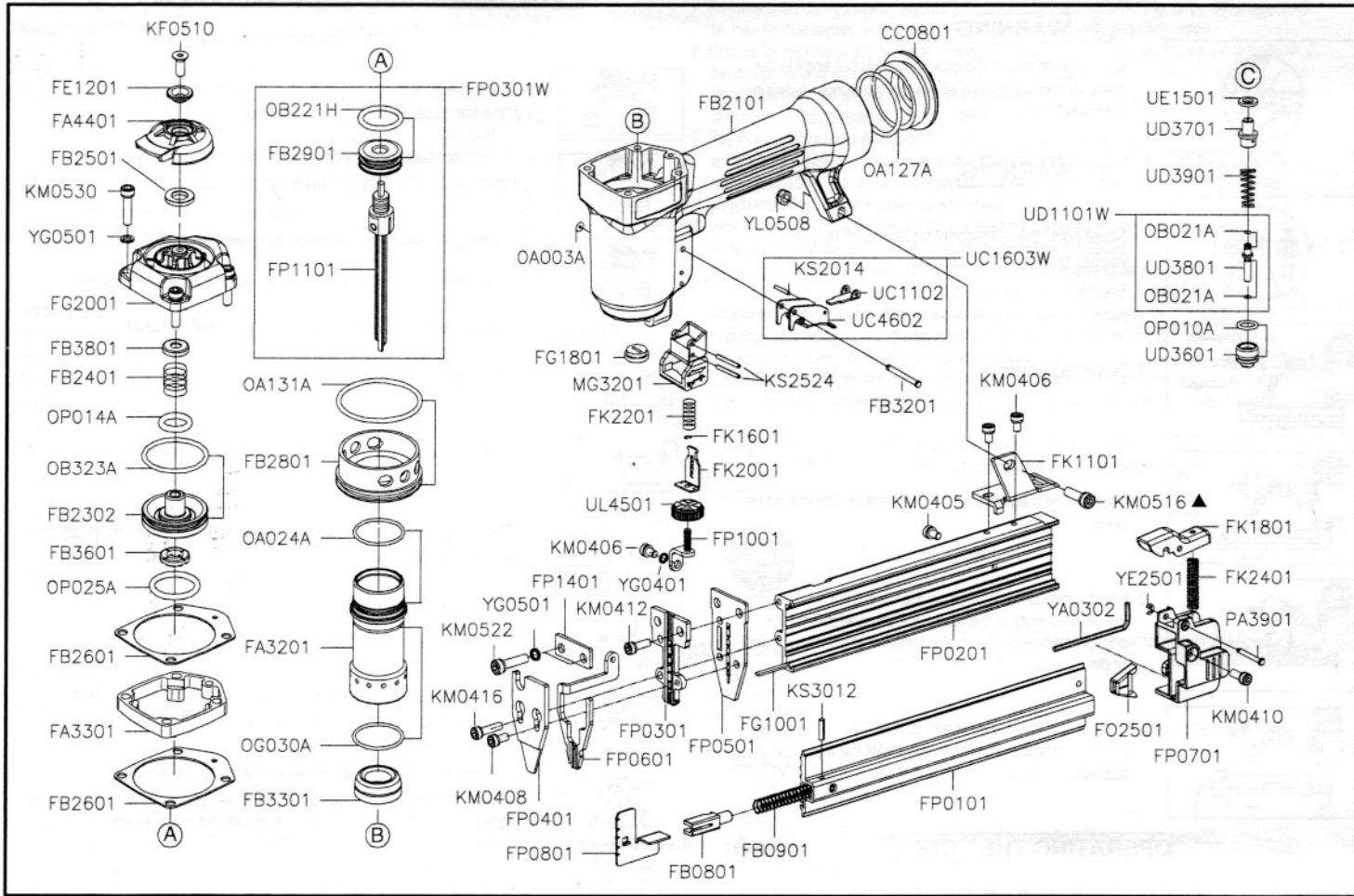


# F18/35B03 (FP/S1-03)

E



Part_No	Description	Spec	Q'ty	Part_No	Description	Spec	Q'ty	Part_No	Description	Spec	Q'ty
CC0801	END CAP		1	FP0301	GUIDE PLATE		1	OB323A	O-RING	31.8×2.4	1
FA3201	CYLINDER		1	FP0301W	DRIVER ASSY.		1	OG030A	O-RING	G30	1
FA3301	CAP		1	FP0401	COVER PLATE(B)		1	OP010A	O-RING	P10	1
FA4401	EXHAUST CAP		1	FP0501	GUIDE PLATE SPACER		1	OP014A	O-RING	P14	1
FB0801	PUSHER PIN		1	FP0601	WORK CONTACTING ELEMENT(A)		1	OP025A	O-RING	P25(1A)	1
FB0901	PUSHER SPRING		1	FP0701	COVER		1	PA3901	PIN		1
FB2101	BODY		1	FP0801	PUSHER		1	UC1102	CONTACT LEVER		1
FB2302	HEAD VALVE PISTON		1	FP1001	WORK CONTACTING ELEMENT(B)		1	UC1603W	TRIGGER ASSY.		1
FB2401	COMPRESSION SPRING		1	FP1101	DRIVER SET		1	UC4602	TRIGGER		1
FB2501	PISTON STOP		1	FP1401	SPACER		1	UD1101W	TRIGGER VALVE ASSY.		1
FB2601	CAP SEAL		2	KF0510	FLAT HD.BOLT	M5×0.8—10L	1	UD3601	TRIGGER VALVE GUIDE		1
FB2801	COLLAR		1	KM0405	HEX.SOC.HD.BOLT	M4×0.7—5L	1	UD3701	TRIGGER VALVE SEAT		1
FB2901	MAIN PISTON		1	KM0406	HEX.SOC.HD.BOLT	M4×0.7—6L	3	UD3801	TRIGGER VALVE STEM		1
FB3201	PIN		1	KM0408	HEX.SOC.HD.BOLT	M4×0.7—8L	1	UD3901	COMPRESSION SPRING		1
FB3301	BUMPER		1	KM0410	HEX.SOC.HD.BOLT	M4×0.7—10L	1	UE1501	SEAL		1
FB3601	PISTON STOP		1	KM0412	HEX.SOC.HD.BOLT	M4×0.7—12L	1	UL4501	ADJUSTING WHEEL		1
FB3801	PISTON STOP		1	KM0416	HEX.SOC.HD.BOLT	M4×0.7—16L	1	YA0302	HEX BAR WRENCH	D3	1
FE1201	EXHAUST CAP RING		1	KM0516	HEX.SOC.HD.BOLT	M5×0.8—16L	1	YE2501	E-RING	φ 2.5	1
FG1001	BAR		1	KM0522	HEX.SOC.HD.BOLT	M5×0.8—22L	2	YG0401	SPRING WASHER	φ 4	1
FG1801	NOZZLE		1	KM0530	HEX.SOC.HD.BOLT	M5×0.8—30L	4	YG0501	SPRING WASHER	φ 5	6
FG2001	CYLINDER CAP		1	KS2014	SPRING PIN	φ 2-14L	1	YL0508	LOCK NUT	M5×0.8	1
FK1101	SUPPORT		1	KS2524	SPRING PIN	φ 2.5-24L	2				
FK1601	C-RING		1	KS3012	SPRING PIN	φ 3-12L	1				
FK1801	LATCH		1	MG3201	SAFETY SET		1				
FK2001	SAFETY		1	OA003A	O-RING	ARP568-003	1				
FK2201	COMPRESSION SPRING		1	OA024A	O-RING	ARP568-024	1				
FK2401	COMPRESSION SPRING		1	OA127A	O-RING	ARP568-127	1				
FO2501	SAFETY CUSHION		1	OA131A	O-RING	ARP568-131	1				
FP0101	MAGAZINE CAP		1	OB021A	O-RING	1.8×1.2	2				
FP0201	MAGAZINE SEAT		1	OB221H	O-RING	22.0×3.0	1				

★☆☆ If you need to order parts, please mark both Parts No. and Description. ★☆☆