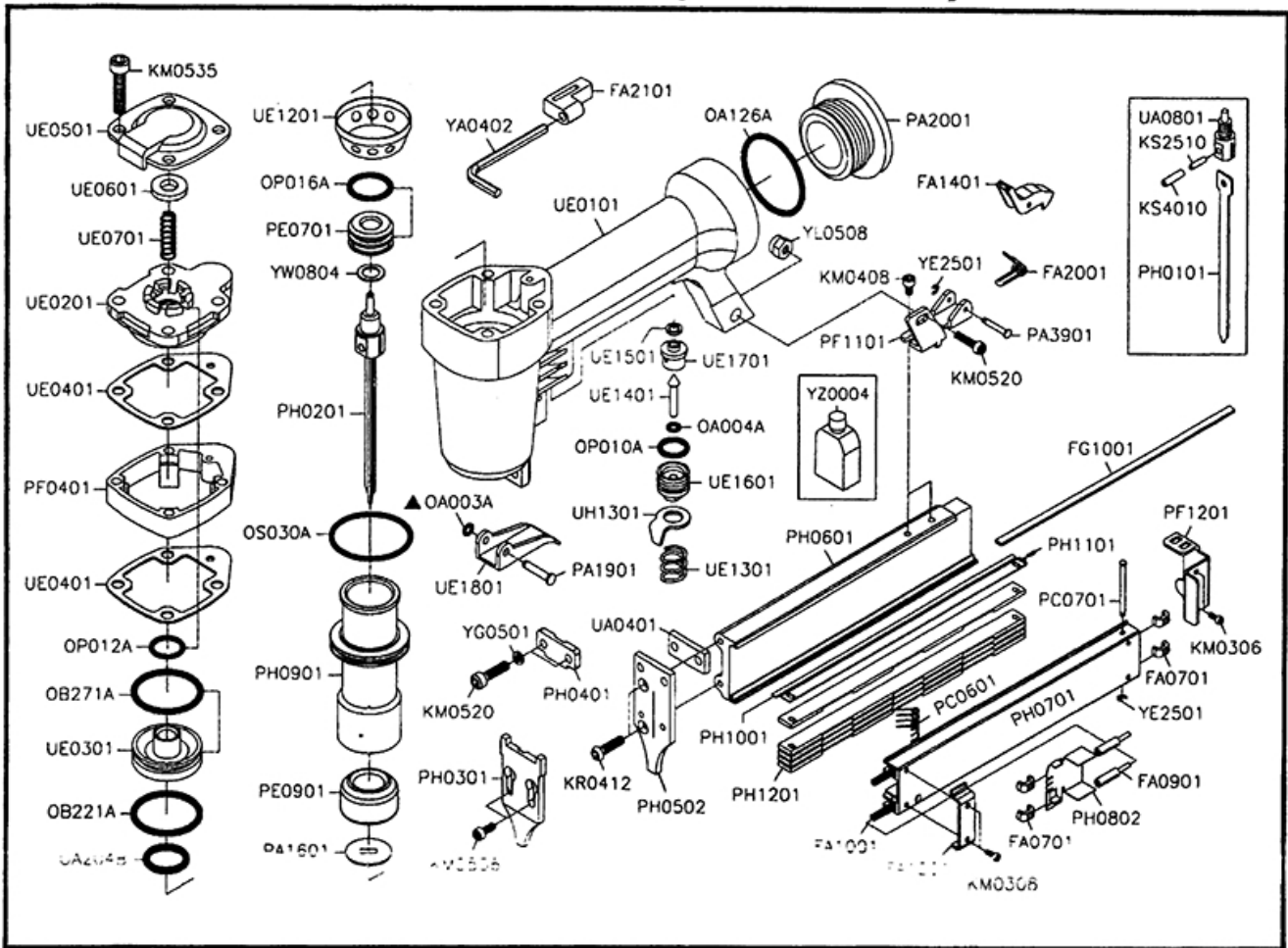


A-Plus **PO.6/30E05 (PH/E1-05)**



Part No	Description	Spec	Qty	Part No	Description	Spec	Qty	Part No	Description	Spec	Qty
FA0701	STOPPER		4	OP016A	O-RING	P16	1	UA0401	SPACER		1
FA0901	PUSHER PIN		2	OS030A	O-RING	S30	1	UA0801	STEM		1
FA1001	PUSHER SPRING		2	PA1601	NOZZLE		1	UE0101	BODY		1
FA1201	PUSHER STOP		1	PA1901	TRIGGER PIN		1	UE0201	CYLINDER CAP		1
FA1401	LATCH		1	PA2001	END CAP		1	UE0301	HEAD VALVE PISTON		1
FA2001	LATCH SPRING		1	PA3901	LATCH PIN		1	UE0401	CAP SEAL		2
FA2101	WRENCH SET		1	PC0601	SPRING		5	UE0501	EXHAUST STOP		1
FG1001	BAR		1	PC0701	PIN		1	UE0601	PISTON STOP		1
KM0306	HEX.SOC.HD.BOLT	M3× 0.5-6L	2	PE0701	MAIN PISTON		1	UE0701	COMPRESSION SPRING		1
KM0308	HEX.SOC.HD.BOLT	M3× 0.5-8L	2	PE0901	BUMPER		1	UE1201	COLLAR		1
KM0408	HEX.SOC.HD.BOLT	M4× 0.7-8L	2	PFO401	CAP		1	UE1301	COMPRESSION SPRING		1
KM0506	HEX.SOC.HD.BOLT	M5× 0.8-6L	2	PF1101	SUPPORT		1	UE1401	TRIGGER VALVE STEM		1
KM0520	HEX.SOC.HD.BOLT	M5× 0.8-20L	3	PF1201	STOP PLATE		1	UE1501	SEAL		1
KM0535	HEX.SOC.HD.BOLT	M5× 0.8-35L	4	PH0101	DRIVER		1	UE1601	TRIGGER VALVE GUIDE		1
KR0412	BUTTON HD.BOLT	M4× 0.7-12L	2	PH0201	DRIVER ASSY.		1	UE1701	TRIGGER VALVE SEAT		1
KS2510	SPRING PIN	φ 2.5-10L	1	PH0301	COVER PLATE (B)		1	UE1801	TRIGGER		1
KS4010	SPRING PIN	φ 4-10L	1	PH0401	COVER PLATE (A)		1	UH1301	TRIGGER STOP		1
▲OA003A	O-RING	ARP568-003	1	PH0502	GUIDE PLATE		1	YA0402	HEX.BAR WRENCH	D4	1
OA004A	O-RING	ARP568-004	1	PH0601	MAGAZINE SEAT		1	▲YE2501	E-RING	φ 2.5	2
OA126A	O-RING	ARP568-126	1	PH0701	MAGAZINE CAP		1	YG0501	SPRING WASHER	φ 5	2
OA204B	O-RING (1B)	ARP568-204	1	PH0802	PUSHER		1	YL0508	LOCK NUT	M5× 0.8	1
OB221A	O-RING	22× 3	1	PH0901	CYLINDER		1	YW0804	FLAT WASHER	φ 8(8× 12)T=0.5mm	1
OB271A	O-RING	26.8× 2.4	1	PH1001	FIXED PLATE SEAT		5	YZ0004	OIL BOX		1
OP010A	O-RING	P10	1	PH1101	SPRING		5				
OP012A	O-RING	P12	1	PH1201	FIXED PLATE		5				

★☆☆ If you need to order parts, please mark both Parts No. and Description. ☆★